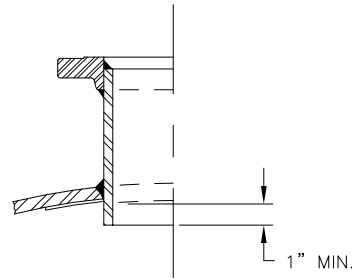
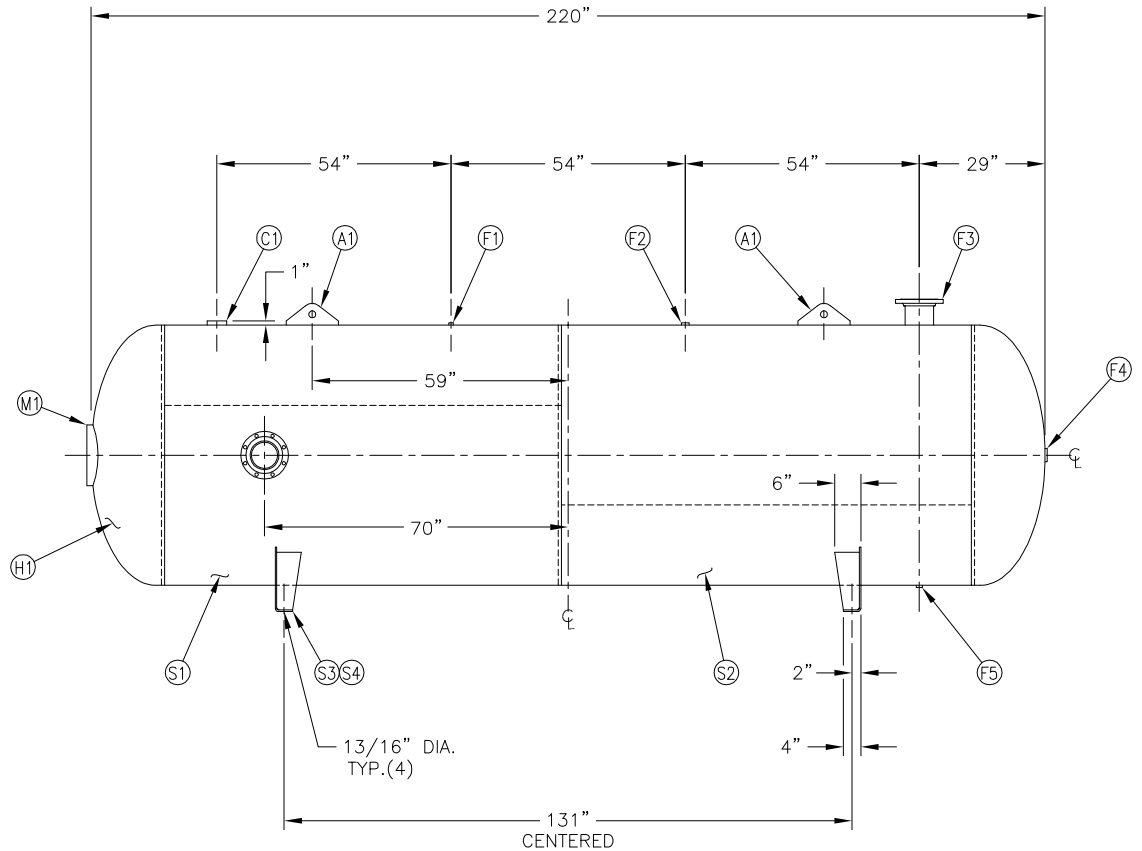
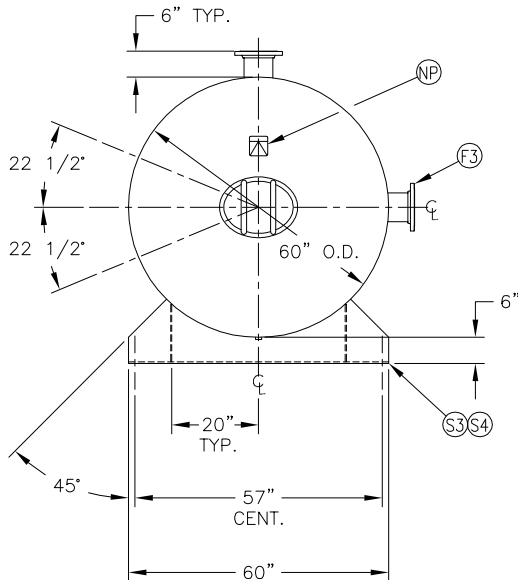


MANWAY DETAIL



NOZZLE DETAIL

NO.	QTY.	DESCRIPTION	SPEC	SUB-DWG.
S1	1			
S2	1			
H1	2			
C1	1	3 NPT 3000# HALF COUPLING	SA-105	
F1	1	1/4 NPT 1500# FLAT FLANGE	SA-181-70	
F2	1	1 NPT 1500# RADIAL FLANGE	SA-181-70	
F3	2	6" 150# ANSI RF.SO. FLANGE	SA-105	
F3	2	6" SCH.80 PIPE X 7 1/2" LONG	SA-106-B	
F3	2	.134 X 8 5/8" O.D. X 6 5/8" I.D. BACKING RING	C1008	
F4	1	2 NPT 1500# FLAT FLANGE	SA-181-70	
F5	1	3/4 NPT 1500# RADIAL FLANGE	SA-181-70	
M1	1	12" X 16" X 3/4" X 4" 300# MANWAY	SA-106-C	
S3	2	5/16" X 18 1/8" X 60" SADDLE BRACKET		A92126
S4	4	5/16" X 6" X 13" GUSSET		A92126
A1	2	3/4" X 5" X 12" STANDARD HORIZ. LIFT LUG		A84388
NP	1	ASME DATA PLATE	C1010	



SYM	DATE	BY	REVISION	APP	XREF	REV.	NOTES	SPECIFICATIONS	MANCHESTER TANK Q:\3000	
							BREAK ALL EXPOSED INTERIOR NOZZLE EDGES ALL FLANGE BOLT HOLES TO STRADDLE VESSEL CENTERLINES	O.D. 60 LGTH. 220 MAWP 165 PSI @ 450 °F	60" X 220" HORIZ. STANDARD AIR RECEIVER	
								CRN --- WELD DETAILS: M-1932 STD. TOLERANCES (UNLESS OTHERWISE NOTED): M-2461	GAL. 2560 WT. 4500# CODE ASME SECT. VIII, DIV.1 PER DATE OF DWG/LAST REV	DRAWN BY: _____ DATE: _____ SCALE: NONE DRAWING NO. 302500