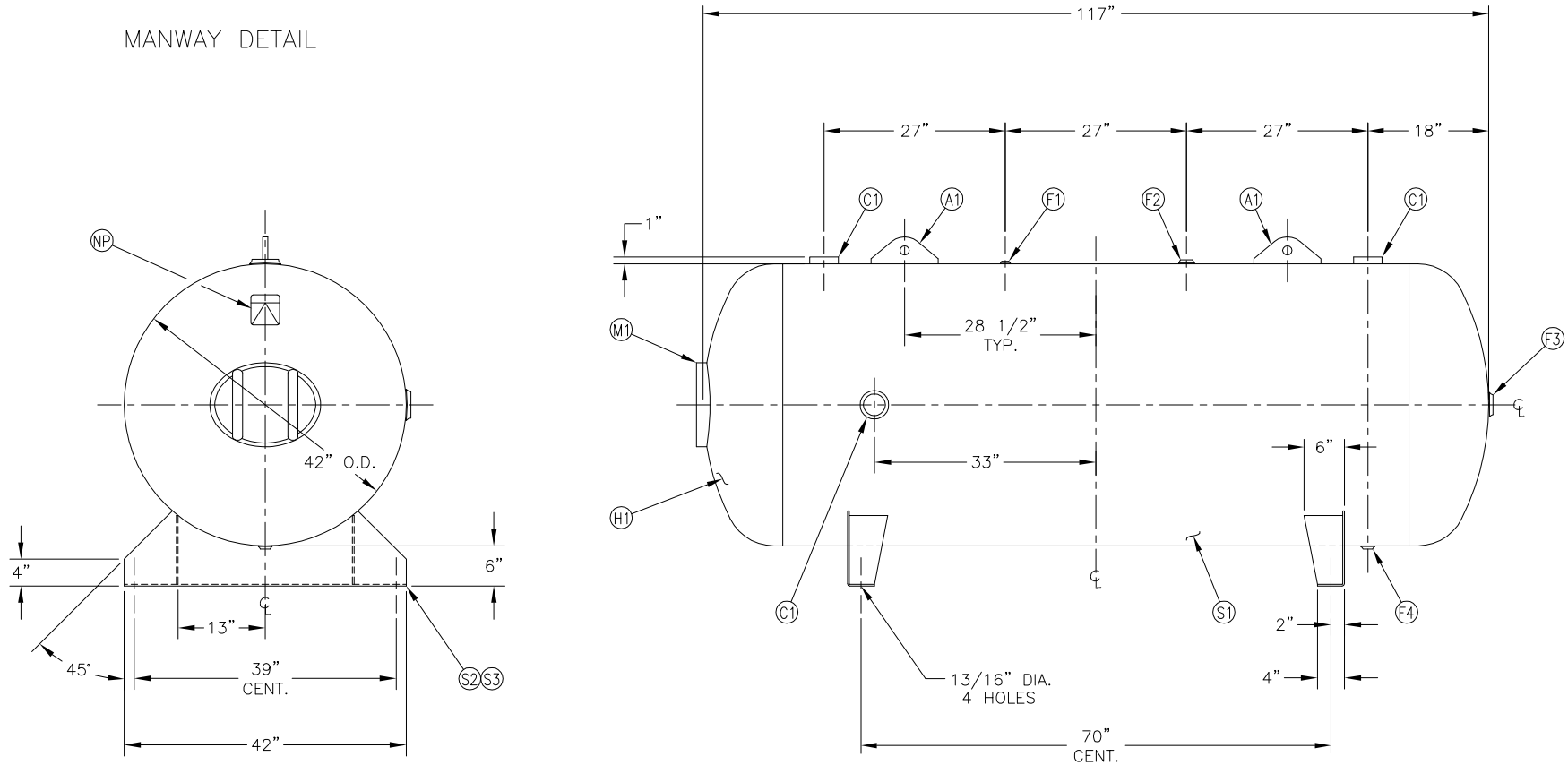


NO.	QTY.	DESCRIPTION	SPEC	SUB-DWG.
S1	1			
H1	2			
C1	3	3 NPT 3000# HALF COUPLING	SA-105	
F1	1	1/4 NPT 1500# FLAT FLANGE	SA-181-70	
F2	1	1 NPT 1500# RADIAL FLANGE	SA-181-70	
F3	1	2 NPT 1500# FLAT FLANGE	SA-181-70	
F4	1	3/4 NPT 1500# RADIAL FLANGE	SA-181-70	
M1	1	12" X 16" X 3/4" X 4" 300# MANWAY	SA-675-70/SA-106-C	
S2	2	1/4" X 14 3/4" X 42" SADDLE BRACKET	C1008	
S3	4	1/4" X 6" X 10" GUSSET	C1008	
A1	2	1/2" X 4" X 10" STANDARD LIFT LUG FOR HORIZ.		A84540
NP	1	ASME DATA PLATE	C1010	



SYM	DATE	BY	REVISION	APP	XREF	REV.	NOTES	SPECIFICATIONS	MANCHESTER TANK Q:\3000	
								O.D. 42 LGTH. 117 MAWP 200 PSI @ 450 °F  GAL. 660 WT. 1375# CORR ALW — SH — HD CODE ASME SECT.VIII, DIV.1 PER DATE OF DWG/LAST REV  CRN L8983.5C  WELD DETAILS: M-1932 STD. TOLERANCES (UNLESS OTHERWISE NOTED): M-2461	<b>42" X 117"</b> <b>STANDARD AIR REC.</b>  DRAWN BY: _____ DATE: _____ SCALE: NONE APP. BY: _____ DATE: _____ DRAWING NO. 302491	