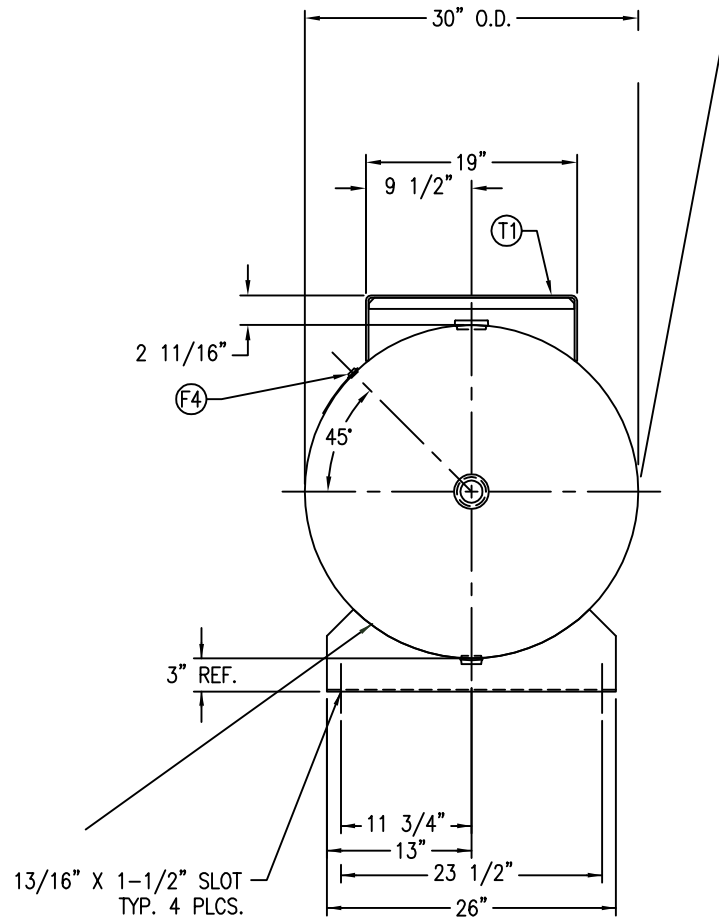
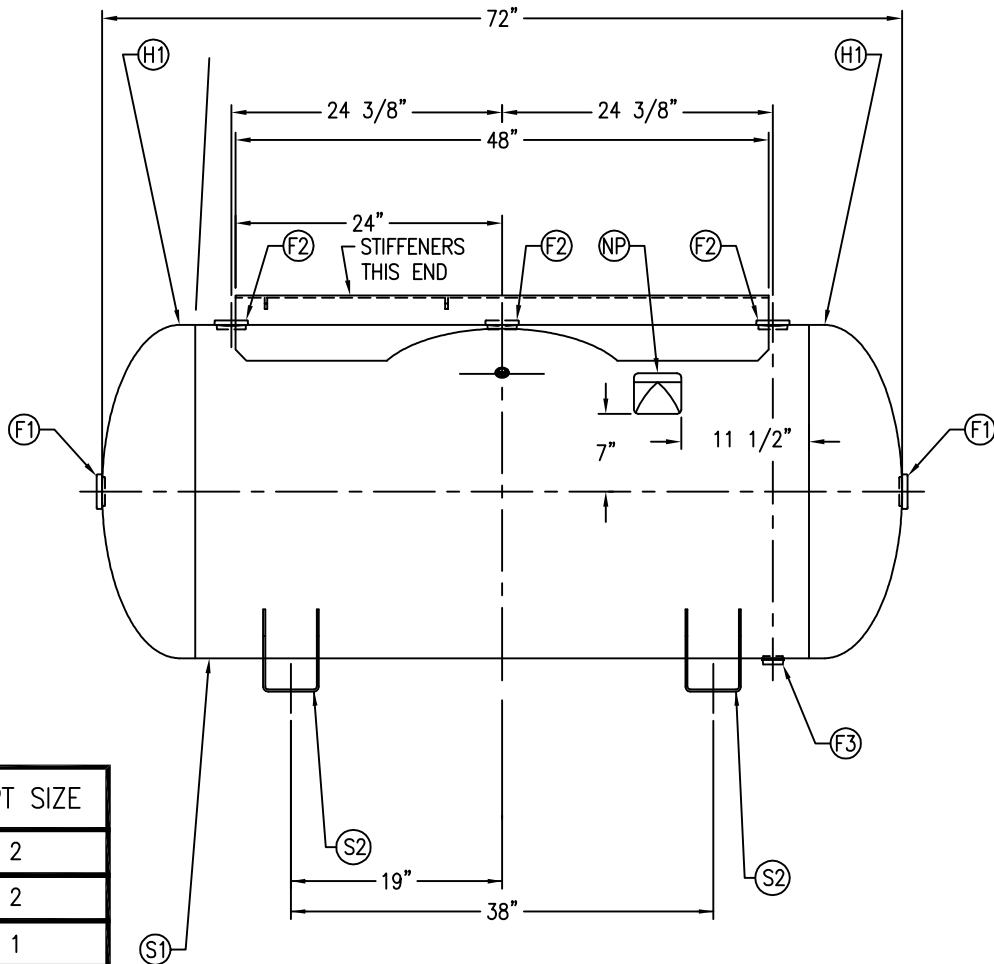



CODE/ADDENDA 2004/- APPROVED JR  
 RELEASED FOR PRODUCTION  
 Q.C. \_\_\_\_\_ DATE \_\_\_\_\_



FIND NO.	NPT SIZE
F1	2
F2	2
F3	1
F4	1/4

SYM	DATE	BY	REVISION	APP	XREF REV.	NOTES	SPECIFICATIONS	 H:\3000\		
					C521 C		O.D. 30 LGTH. 72 MAMP 200 PSI @ 650 °F	<b>HORIZONTAL AIR RECEIVER</b> GAL 200 S.A. 50.0 WT. 632# CU.FT. 26.5 CODE: ASME SEC. VIII DIV. I, LATEST EDITION & ADDENDA		
					C522		CRN F0628.1C WELD DETAILS: M-1932 STD. TOLERANCES (UNLESS OTHERWISE NOTED): M-2461			DRAWN BY _____ APP. BY _____