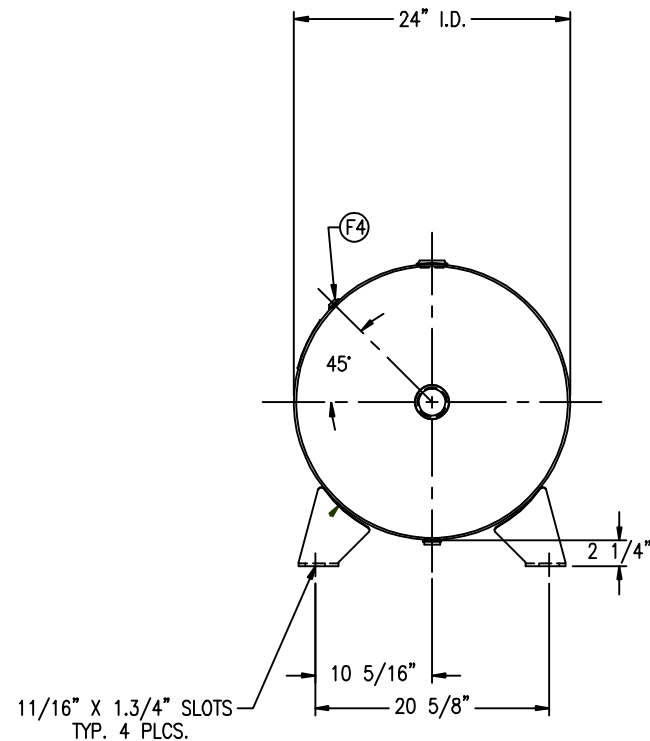
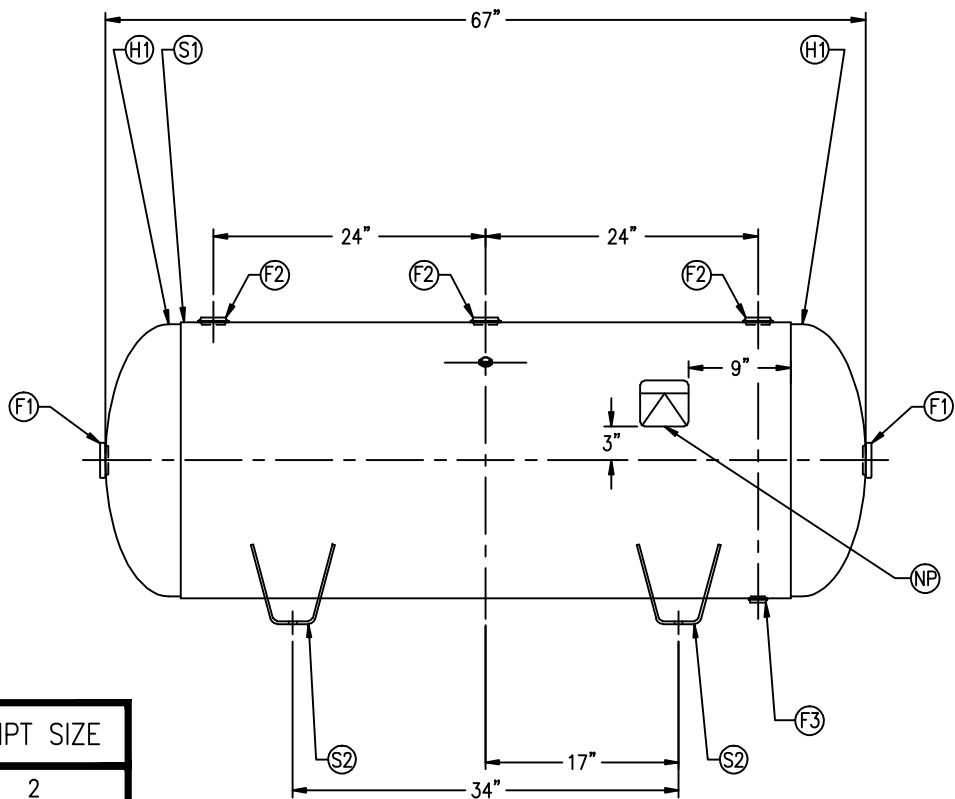


CODE/ADDENDA APPROVED
 RELEASED FOR PRODUCTION
 Q.C. _____ DATE _____



FIND NO.	NPT SIZE
F1	2
F2	1 1/2
F3	3/4
F4	1/4

SYM	DATE	BY	REVISION	APP	XREF REV.	NOTES	SPECIFICATIONS	MANCHESTER TANK	
					C809 B C665 A		I.D. 24 LGTH. 67 MAWP 200 PSI @ 650 °F CRN E7400.2C WELD DETAILS: M-1932 STD. TOLERANCES (UNLESS OTHERWISE NOTED): M-2461	GAL 120 S.A. 37.5 WT. 311# CU.FT. 16.0 CODE: ASME SEC. VIII DIV. I, LATEST EDITION & ADDENDA	\\CORP2\DWG\302
								HORIZONTAL AIR RECEIVER	
				DRAWN BY		DATE		SCALE: NONE	
				APP. BY		DATE		DRAWING NO. 302479	