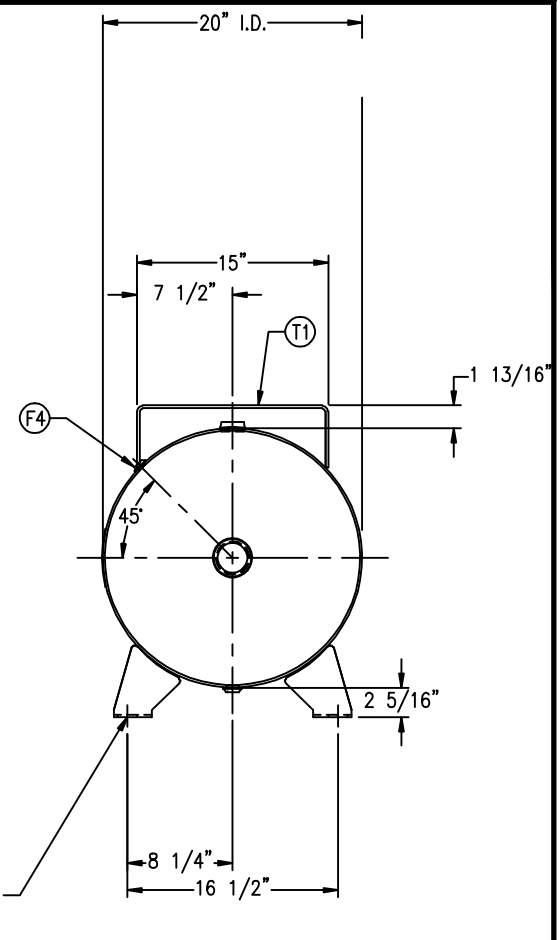
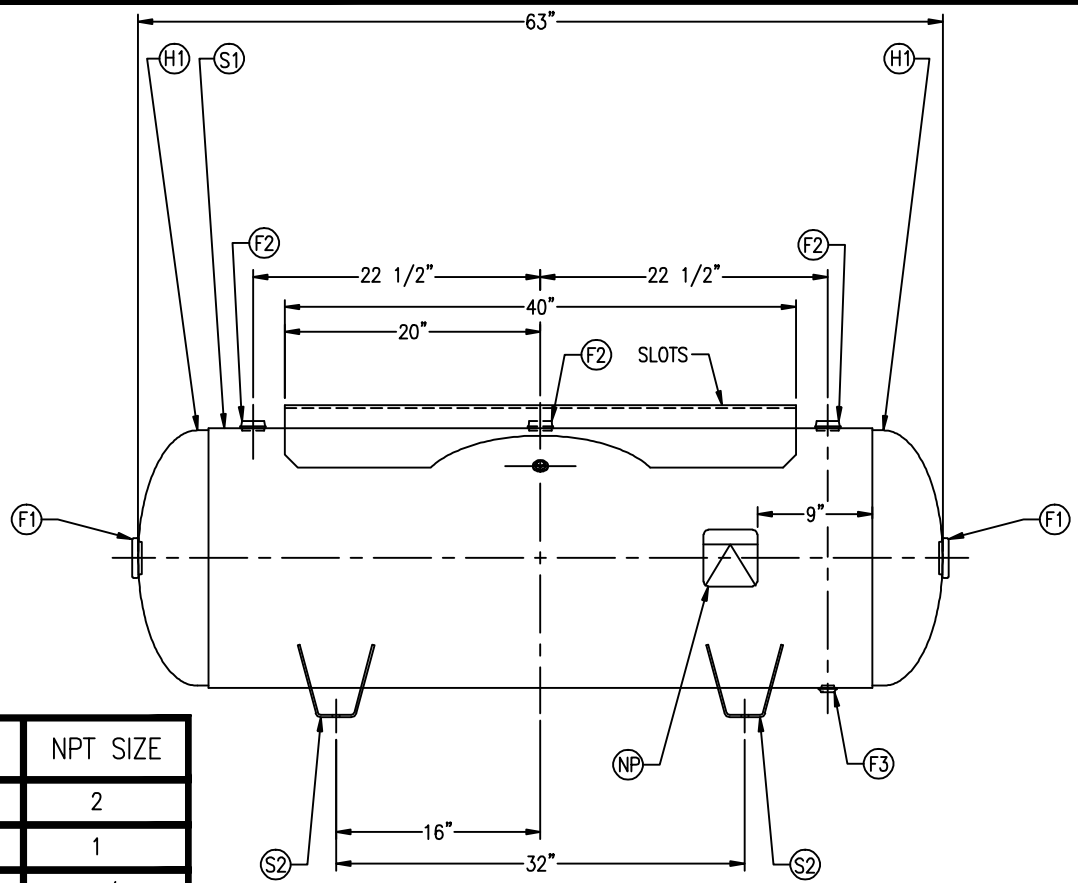



CODE/ADDENDA 2004/2006 APPROVED KM  
 RELEASED FOR PRODUCTION  
 Q.C. \_\_\_\_\_ DATE \_\_\_\_\_



| FIND NO. | NPT SIZE |
|----------|----------|
| F1       | 2        |
| F2       | 1        |
| F3       | 1/2      |
| F4       | 1/4      |

| SYM      | DATE | BY | REVISION | APP | XREF | REV.                         | NOTES | SPECIFICATIONS  |  |
|----------|------|----|----------|-----|------|------------------------------|-------|---|--|
|          |      |    |          |     | C580 | C                            |       | I.D. 20   | LGTH. 63   |
|          |      |    |          |     | C659 | B                            |       | MAWP 200  | PSI @ 650 °F   |
|          |      |    |          |     |      |                              |       | CRN E7399.2C  | GAL. 80 S.A. 29.2  |
|          |      |    |          |     |      |                              |       | WELD DETAILS: M-1932  | WT. 263# CU.FT.10.7                                      |
|          |      |    |          |     |      |                              |       | STD. TOLERANCES (UNLESS OTHERWISE NOTED): M-2461  | CODE: ASME SEC. VIII DIV. I,<br>LATEST EDITION & ADDENDA |
|          |      |    |          |     |      |                              |       | <br><b>MANCHESTER</b><br><small>TANK</small> |  |
|          |      |    |          |     |      |                              |       | <b>HORIZONTAL AIR RECEIVER</b><br><small>\\CORP2\DWG\302</small>  |  |
| DRAWN BY |      |    | DATE     |     |      | SCALE: NONE                  |       |   |  |
| APP. BY  |      |    | DATE     |     |      | DRAWING NO.<br><b>302477</b> |       |   |  |