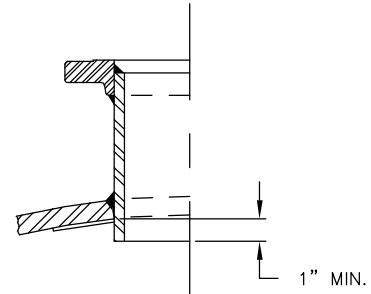
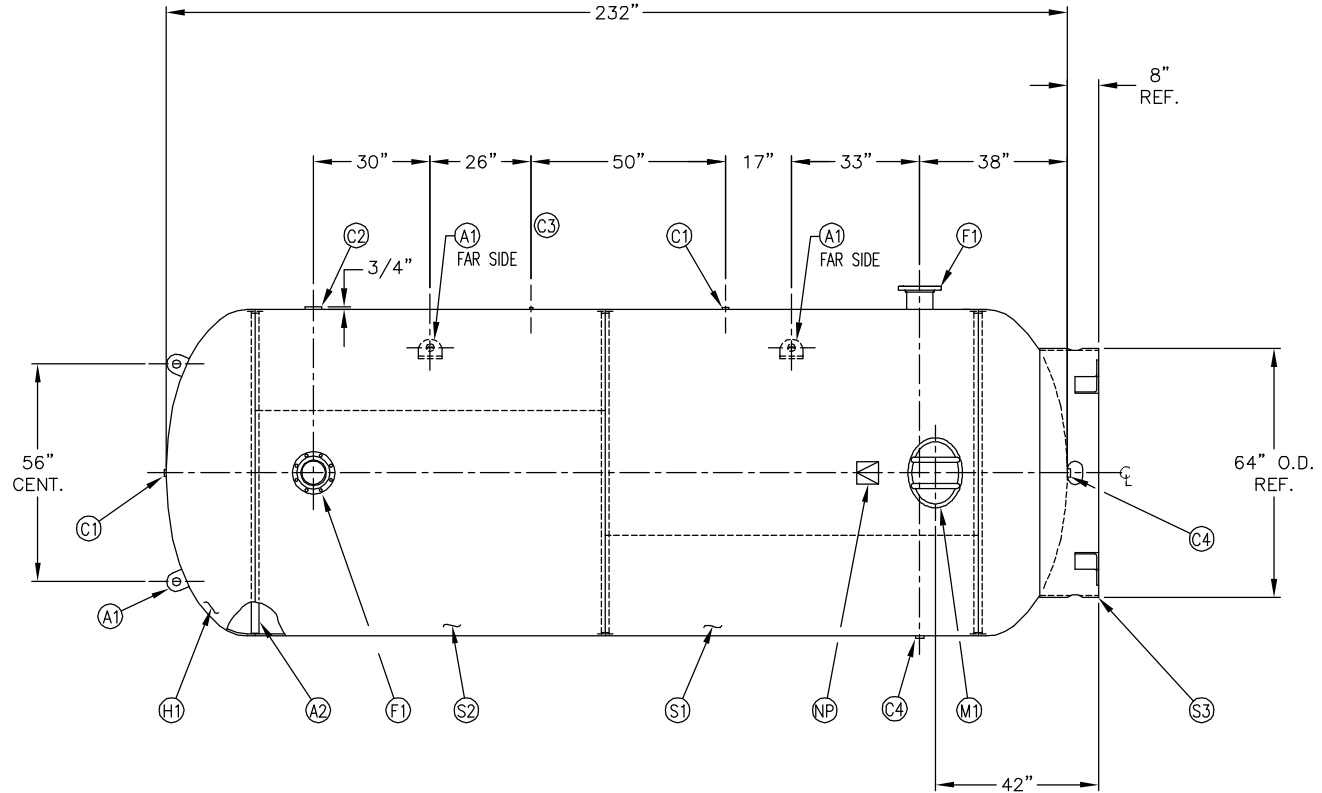
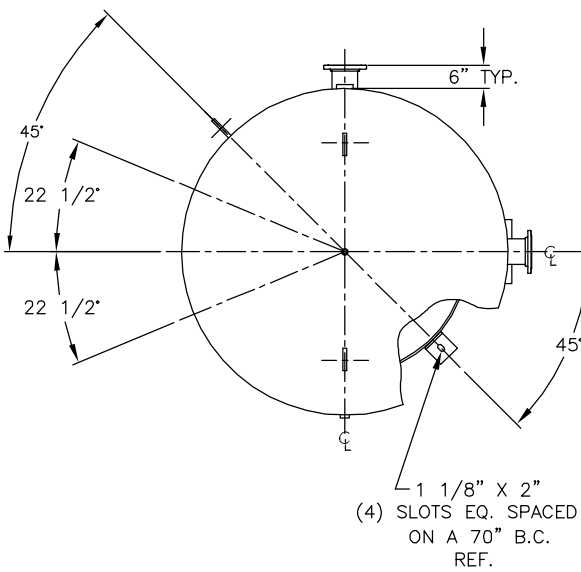



MANWAY DETAIL



6" NOZZLE DETAIL

NO.	QTY.	DESCRIPTION	SPEC	SUB-DWG.
S1	1			
S2	1			
H1	2			
C1	2	1 NPT 3000# FULL COUPLING	SA-105	
C2	1	3 NPT 3000# HALF COUPLING	SA-105	
C3	1	1/4 NPT 3000# FULL COUPLING	SA-105	
C4	2	1.1/4 NPT 3000# HALF COUPLING	SA-105	
F1	2	6" 150# ANSI RF. SO. FLANGE	SA-105	
F1	2	6" SCH.80 PIPE X 7 1/2" LONG	SA-106-B	
F1	2	.134 X 8 5/8" O.D. X 6 5/8" I.D. BACKING RING	C1008	
M1	1	12" X 16" X 3/4" X 4" 300# MANWAY	SA-106-C	
S3	1	STANDARD 8" SKIRT ASSEMBLY FOR 84" DIA. TANK		A86006
A1	4	1" X 6" X 6" STANDARD LIFT LUG		A86004
A2	3	3/16" X 2" X 260 3/16" BACKING RING	C1010	
NP	1	ASME DATA PLATE	C1010	



SYM	DATE	BY	REVISION	APP	XREF	REV.	NOTES	SPECIFICATIONS	 <b>84" X 232" VERT. STANDARD AIR RECEIVER</b>
A		JC		AMA				O.D. 84 LGTH. 232 MAWP 165 PSI @ 450 °F RT- MDMT -20 °F @ 165 PSI EXMT TEST XRAY CRN ---	
B		JC		JC				GAL 5000 S.A. 455.01 WT. 10500 CU.FT. 683.69 CORR ALW SH HD CODE ASME SECT. VIII, DIV.1 PER DATE OF DWG/LAST REV	
WELD DETAILS: M-1932 STD. TOLERANCES (UNLESS OTHERWISE NOTED): M-2461								DRAWN BY: <i>B. Skinner</i> APP. BY: <i>F. Reed</i>	DATE: _____ SCALE: NONE DRAWING NO. <b>302459</b>