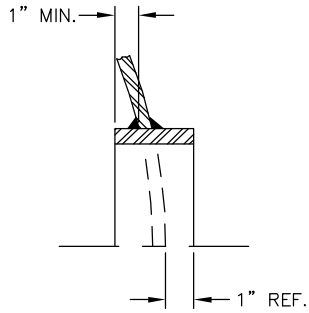
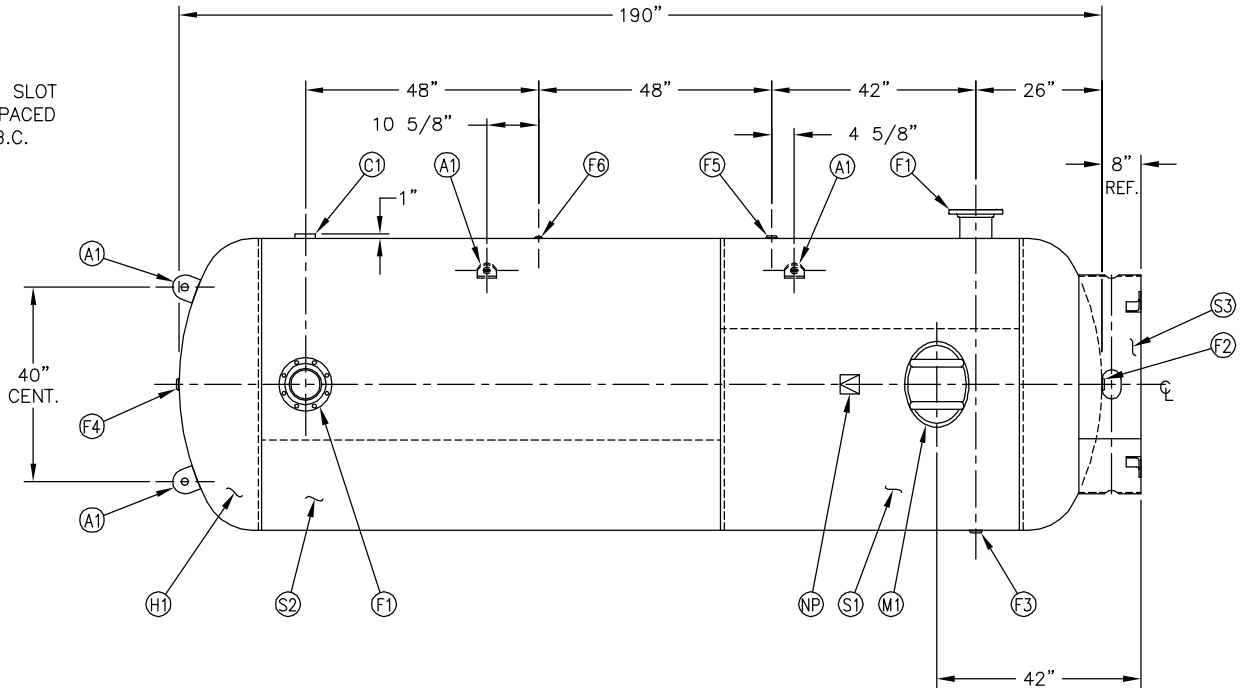
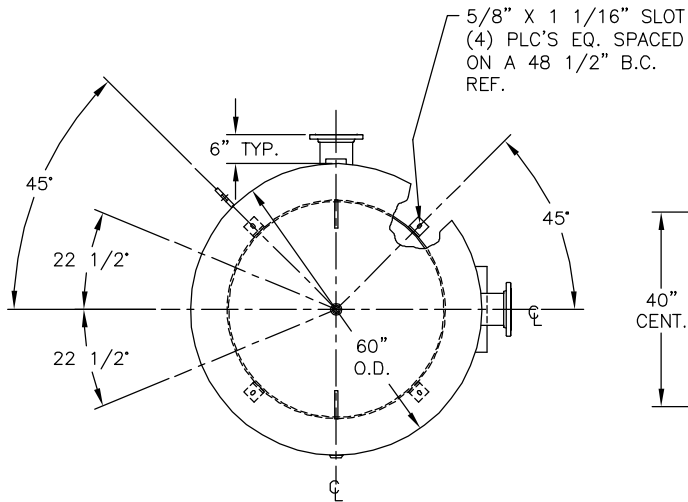


6" NOZZLE DETAIL




MANWAY DETAIL

NO.	QTY.	DESCRIPTION	SPEC	SUB-DWG.
S1	1			
S2	1			
H1	2			
F1	2	6" 150# ANSI RF. SO. FLANGE	SA-105	
F1	2	6" S/120 PIPE X 7 1/2" LONG	SA-106-B	
F1	2	.134 X 8 5/8" O.D. X 6 5/8" I.D. BACKING RING	C1008	
F2	1	1 1/4"-NPT 1500# FLAT FLANGE	SA-181-70	
F3	1	1 1/4"-NPT 1500# RADIAL FLANGE	SA-181-70	
F4	1	1"-NPT 1500# FLAT FLANGE	SA-181-70	
F5	1	1"-NPT 1500# RADIAL FLANGE	SA-181-70	
F6	1	1/4"-NPT 1500# FLAT FLANGE	SA-181-70	
C1	1	3"-NPT 3000# HALF COUPLING	SA-105	
M1	1	12" X 16" X 1" X 4" 300# MANWAY	SA-106-C	
A1	4	3/4" X 5" X 5" STANDARD LIFT LUG		A84524
S3	1	STANDARD 8" SKIRT & CLIP ASSY. FOR 60" DIA.		A85012
NP	1	ASME DATA PLATE	C1010	



ENG. _____ DATE _____
 Q.C. _____ DATE _____

SYM	DATE	BY	REVISION	APP	XREF	REV.	NOTES	SPECIFICATIONS
A		ECB						O.D. 60 LGTH. 190 SH. M.A.W.P. 200 PSI @ 400 °F HD. RT- MDMT °F @ PSI GAL. 2200 S.A. 264
1		AW		TA	JR			WT. 4500 CU.FT. 294.1
2		JPR		AMA				CORR ALW SH HD
3		JC		JC				CODE ASME SEC. VIII DIV. 1
								PER DATE OF DWG/LAST REV
								WELD DETAILS: M-1932
								STD. TOLERANCES (UNLESS OTHERWISE NOTED): M-2461



VERTICAL AIR RECEIVER

SCALE: NONE
 DRAWING NO. 302450