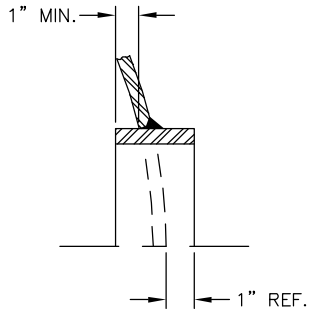
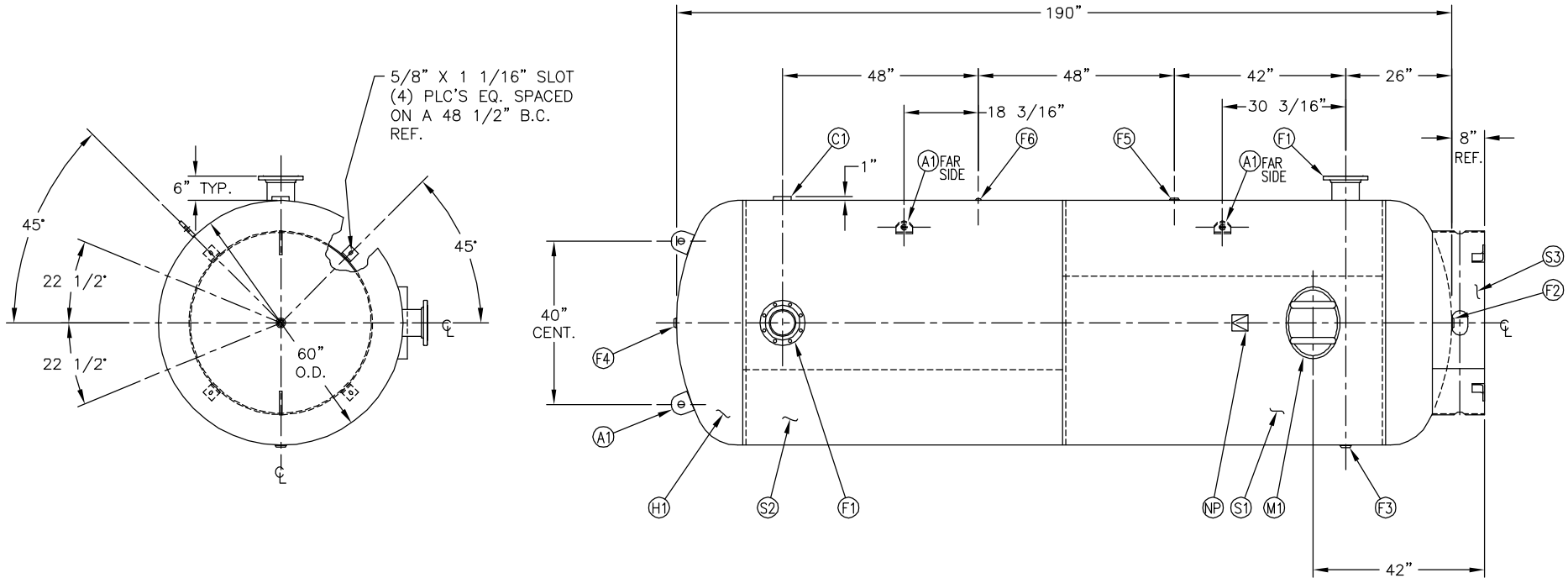


6" NOZZLE DETAIL



MANWAY DETAIL

NO.	QTY.	DESCRIPTION	SPEC	SUB-DWG.
S1	1			
S2	1			
H1	2			
F1	2	6" 150# ANSI RF. SO. FLANGE	SA-105	
F1	2	6" S/80 PIPE X 7 1/2" LONG	SA-106-B	
F1	2	.134 X 8 5/8" O.D. X 6 5/8" I.D. BACKING RING	C1008/SA-36	
F2	1	1 1/4"-NPT 1500# FLAT FLANGE	SA-181-70	
F3	1	1 1/4"-NPT 1500# RADIAL FLANGE	SA-181-70	
F4	1	1"-NPT 1500# FLAT FLANGE	SA-181-70	
F5	1	1"-NPT 1500# RADIAL FLANGE	SA-181-70	
F6	1	1/4"-NPT 1500# FLAT FLANGE	SA-181-70	
C1	1	3"-NPT 3000# HALF COUPLING	SA-105	
M1	1	12" X 16" X 3/4" X 4" 300# MANWAY	SA-106-C	
A1	4	3/4" X 5" X 5" STANDARD LIFT LUG		A84524
S3	1	STANDARD 8" BASERING ASSEMBLY FOR 60" DIA.		A85012
NP	1	ASME DATA PLATE	C1010	



CODE/ADDENDA APPROVED
 RELEASED FOR PRODUCTION
 Q.C. _____ DATE _____

SYM	DATE	BY	REVISION	APP	XREF	REV.	NOTES	SPECIFICATIONS
A		ECB		TA				O.D. 60 LGTH. 190 SH. MAWP 165 PSI @ 450 °F HD. RT- MDMT -20 °F @ 165 PSI GAL. 2200 SA. 264 EXMT TEST WT. 3535 CU.FT. 294.1 XRAY CORR ALW SH HD CRN -- CODE ASME SEC. VIII DIV. 1 PER DATE OF DWG/LAST REV WELD DETAILS: M-1932 STD. TOLERANCES (UNLESS OTHERWISE NOTED): M-2461
B		CH		JR				
C		CH		JR				
D		JPR		AMA				
E		JC		JC				
F		BS		BS				

MANCHESTER TANK Q:\3000\

VERTICAL AIR RECEIVER

DRAWN BY: C. HAYRE DATE: _____ SCALE: NONE

APP. BY: J. REED DATE: _____ DRAWING NO. 302449