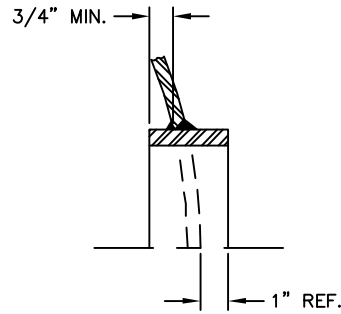
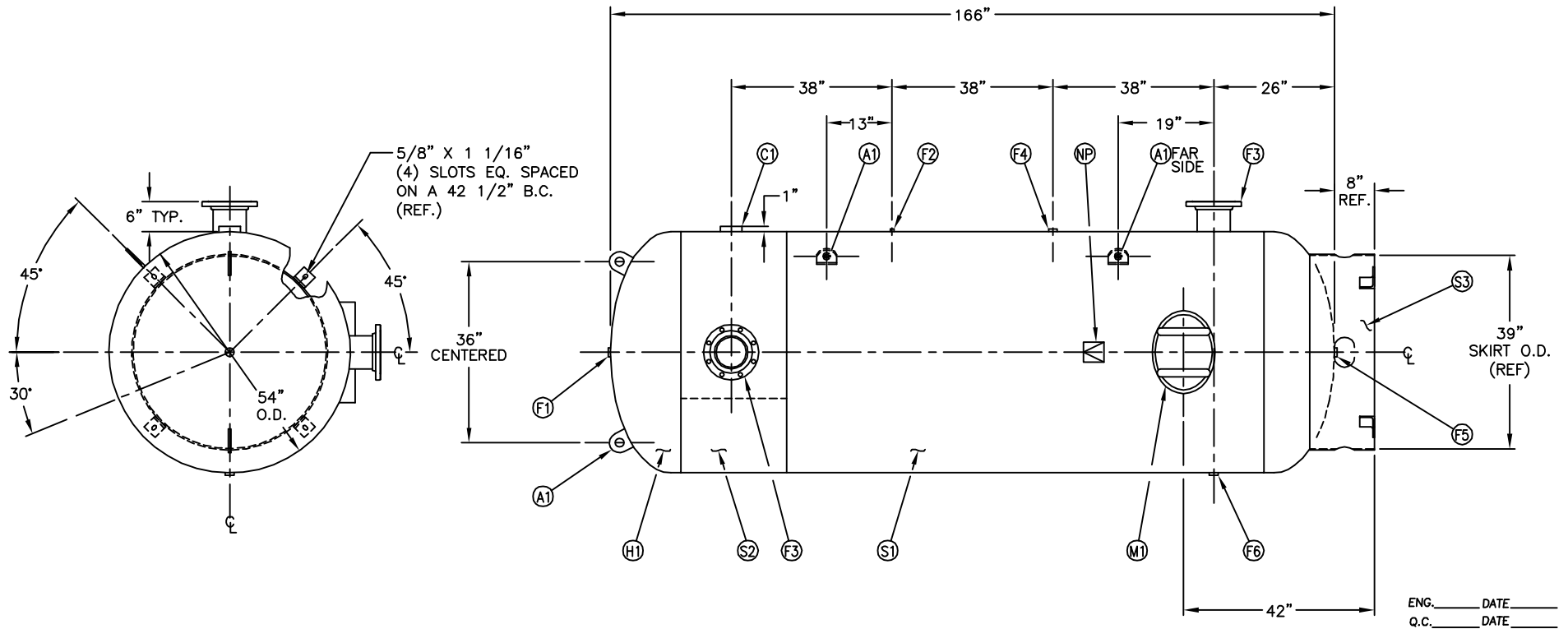


NOZZLE DETAIL




MANWAY DETAIL

NO.	QTY.	DESCRIPTION	SPEC	SUB-DWG.
S1	1			
S2	1			
H1	2			
C1	1	3"-NPT 3000# HALF COUPLING	SA-105	
F1	1	1"-NPT 1500# FLAT FLANGE	SA-181-70	
F2	1	1/4"-NPT 1500# FLAT FLANGE	SA-181-70	
F3	2	6" 150# ANSI RF.SO. FLANGE	SA-105	
F3	2	6" SCH.80 PIPE X 7 1/2" LONG	SA-106-B	
F3	2	.134 X 8 5/8" O.D. X 6 5/8" I.D. BACKING RING	C1008	
F4	1	1"-NPT 1500# RADIAL FLANGE	SA-181-70	
F5	1	1 1/4"-NPT 1500# FLAT FLANGE	SA-181-70	
F6	1	1 1/4"-NPT 1500# RADIAL FLANGE	SA-181-70	
M1	1	12" X 16" X 1" X 4" 300# MANWAY	SA-106-C	
A1	4	3/4" X 5" X 5" STANDARD LIFT LUG		A84524
S3	1	STANDARD 8" SKIRT ASSEMBLY FOR 54" DIA. TANK		A85008
NP	1	ASME DATA PLATE	C1010	



ENG. _____ DATE _____
Q.C. _____ DATE _____

SYM	DATE	BY	REVISION	APP	XREF	REV.	NOTES	SPECIFICATIONS		 54" X 166" VERT. STANDARD AIR RECEIVER
1		AW		JR				O.D. 54	LGTH. 166	
2		JPR		AMA				MAMP 200	PSI @ 400 °F	GAL 1550
								RT- MDMT -20 °F @ 200 PSI		S.A. 207.90
								EXMT TEST		WT. 3600#
								XRAY		CJ.FT. 204.74
								CRN ---		CORR ALW SH HD
										CODE ASME SECT. VIII, DIV.1
										PER DATE OF DWG/LAST REV
										DRAWN BY <i>S. Skinner</i> DATE _____ APP. BY <i>J. Reed</i> DATE _____
										SCALE: NONE
										DRAWING NO. 302447