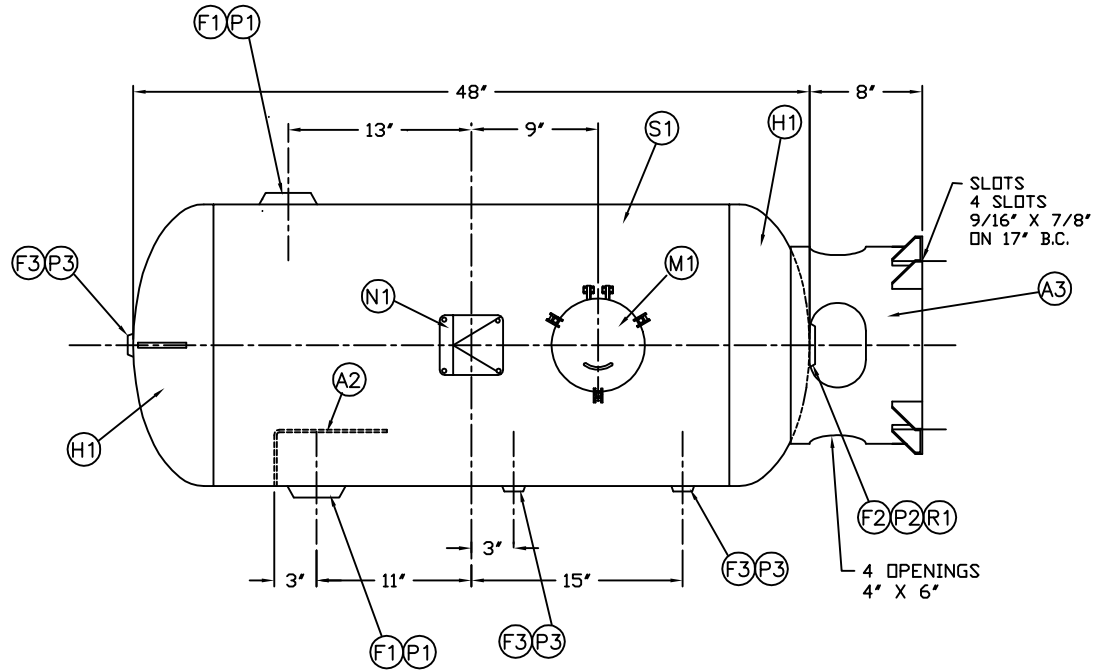
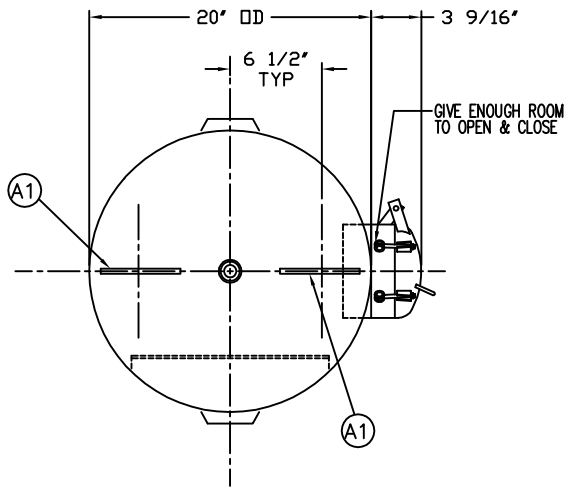


CODE/ADDENDA _____ APPROVED _____
 RELEASED FOR PRODUCTION
 Q.C. _____ DATE _____

NO.	QTY	SUB.DWG.	DESCRIPTION	AP.G
A3	1	A85081	BASERING ASSY FOR 20" TANK	AP.G
N1	1		NAMEPLATE: ASME / NB	AP.G

NO.	QTY	SUB.DWG.	DESCRIPTION	AP.G
H1	2			
S1	1			
F1	2		FLANGE: 3 NPT RAD	SA-181-70
F2	1		FLANGE: 2 NPT FLT (O-RING STYLE)	SA-181-70
F3	3		FLANGE: 1/2 NPT	SA-181-70
P1	2		PLUG: 3 NPT PLASTIC	
P2	1		PLUG: 2 NPT NPS HX HD	
P3	3		PLUG: 1/2 NPT PLASTIC	
R1	1		O-RING FOR 2 NPT FLANGE	
M1	1	A78577	HINGE CLOSURE 6.625 OD X .437 150 PSI	SA106-B
A1	2	A21300	LIFT LUG 1/2" X 9-1/2"	AP.G
A2	1	A78579	BAFFLE: .179 X 11-7/16 X 14	AP.G



SYM	DATE	BY	REVISION	APP	NOTES	SPECIFICATIONS		MANCHESTER TANK			
					FULL VACUUM AT 566°F	O.D. 20	LGTH. 48	GAL. 60 WT. 205#	VERTICAL VACUUM RECIEVER DRAWN BY _____ DATE _____ SCALE: NONE APP. BY _____ DATE _____ DRAWING NO. 300956		
						M.A.W.P. 150	PSI @ 566 °F				
						CRN ---			WELD DETAILS: M-1932 STD. TOLERANCES (UNLESS OTHERWISE NOTED): M-2461		