

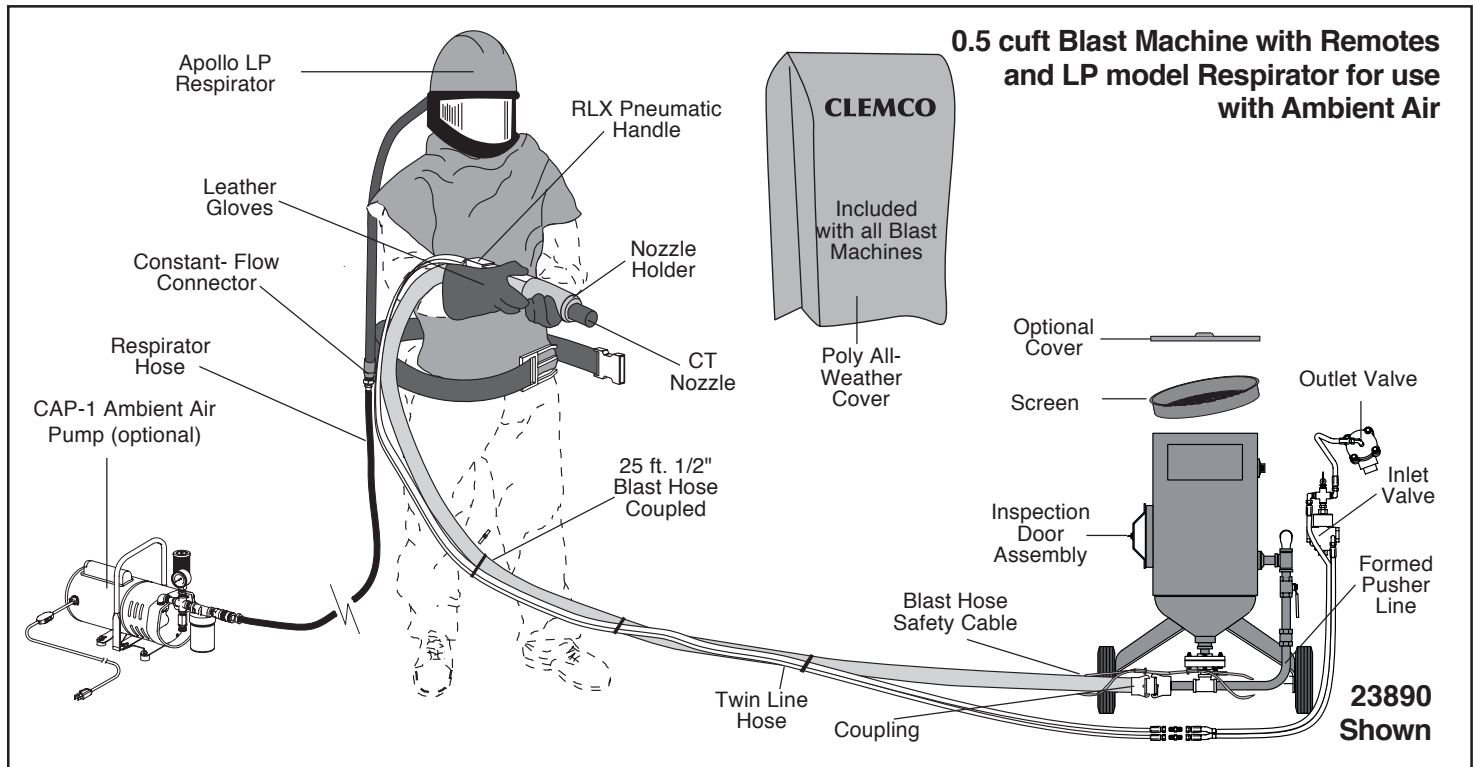
Model 1028: 0.5 cuft Blast Machine, Classic with 1/2" piping, 125 psi working pressure

Item Description	Stock No.	Wt
Without remotes	21050	100
Includes MSV 1/2" abrasive metering valve		
With TLR50 Remote Controls & MSV	21051	110

Systems

1028-50-CA	00908	185
Includes: Blast machine 21051, Apollo 60 HP (for use with compressed air) respirator with Air Control Valve, 25 ft. respirator hose, CPF 20 breathing air filter, and Accessory Package		

Item Description	Stock No.	Wt
Accessory Package		
1/2" air filter w/ manual drain	01308	
25 ft. x 1/2" ID blast hose with CHE-1/2 aluminum nozzle holder and CQA-1/2 aluminum quick coupling	01268	
Blast hose safety cable	15012	
CT-4 blast nozzle	01353	
Blast machine screen	03362	
Leather gloves, 1 pair	02243	
Helmet outer lenses, pk of 25	04361	
CQG coupling gaskets, pk of 10	00850	
NW-1 nozzle washers, pk of 10	21580	
Outlet valve diaphragms (3 ea.)	02511	
Options/Accessories		
Steel blast machine cover, 10"	03107	3
Carbon monoxide alarm, CMS-2	22894	9
Blast suit, heavy cotton/leather S (08920), M (08921), L (08922), XL (08923)		5
Blast suit, seasonal cotton/nylon M (22914), L (22915), XL (22916), XXL (22917)		3



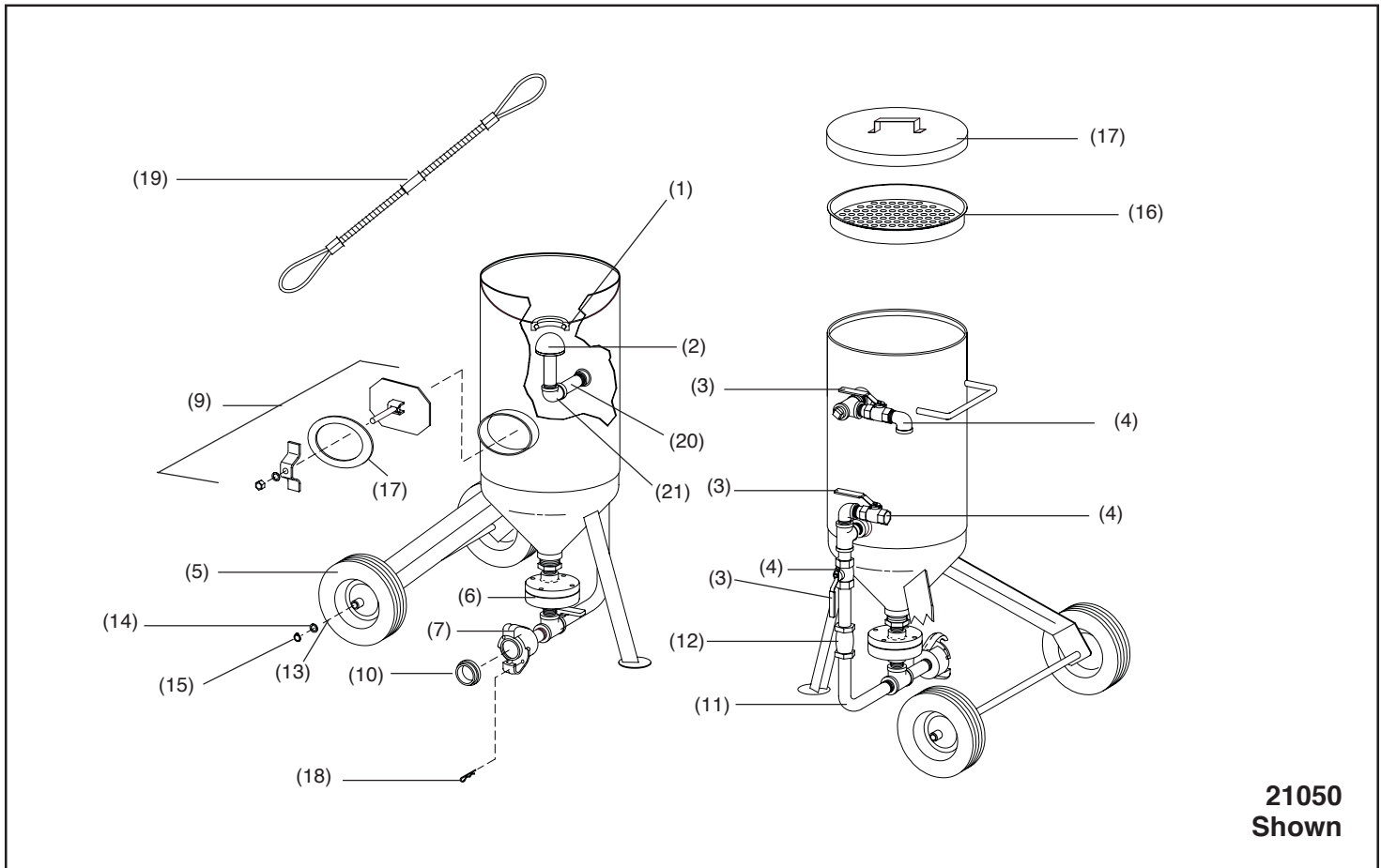
Model 1028: 0.5 cuft Blast Machine, Classic with 1/2" piping, 125 psi working pressure

Item Description	Stock No.	Wt
Without remotes	21050	100
Includes MSV 1/2" abrasive metering valve		
With TLR50 Remote Controls & MSV	21051	110

Systems

1028-50-AA	23890	185
Includes: Blast machine 21051, Apollo 60 LP (for use with ambient air) respirator with Constant Flow Connector, 50 ft. respirator hose, and Accessory Package		

Item Description	Stock No.	Wt
Accessory Package		
1/2" air filter w/ manual drain	01308	
25 ft. x 1/2" ID blast hose with CHE-1/2" aluminum nozzle holder and CQA-1/2" aluminum quick coupling	01268	
Blast hose safety cable	15012	
CT-4 blast nozzle	01353	
Blast machine screen	03362	
Leather gloves, 1 pair	02243	
Helmet outer lenses, pk of 25	04361	
CQG coupling gaskets, pk of 10	00850	
NW-1 nozzle washers, pk of 10	21580	
Outlet valve diaphragms (3 ea.)	02511	
Options/Accessories		
Steel blast machine cover, 10"	03107	3
Carbon monoxide alarm, CMS-2	22894	9
Ambient Air Pump		
CAP-1, sgl operator	22383	65
CAP-4, 4 operators w/ frame	22530	175
with 2 wheel cart	22384	205
Blast suit, heavy cotton/leather		
S (08920), M (08921), L (08922), XL (08923)		5
Blast suit, seasonal cotton/nylon		
M (22914), L (22915), XL (22916), XXL (22917)		3



Item Description	Stock No.	Wt
Model 1028, 0.5 cuft Blast Machine, Classic		
without remote controls	21050	100
with TLR-50 remote controls* ...	21051	110
1. Seal, pop-up, rubber	01245	<.5
2. Pop-up valve and shaft, 2" opening	01242	1
3. Handle, 1/2" ball valve	01252	<.5
4. Valve, 1/2" NPT ball w/ handle ...	01241	1
5. Wheel, 6" diameter, rubber tire ...	02326	4
6. MSV abrasive metering valve	01247	2
7. Coupling, CFA-1/2, 1/2" NPT alum.	00558	<.5
8. Gasket, inspection door, 3" x 4"	01249	<.5
9. Inspection door assembly, 3" x 4"	01267	3
10. Gaskets, CQG, for 00558, pk of 10*	00850	<.5

Item Description	Stock No.	Wt
11. Formed pipe pusher line, 1/2" ...	11013	2
12. Coupling, 1/2" Compression	11086	1
13. Axle	02404	4
14. Washer, 3/4" thrust	03804	<.5
15. Retaining ring	03805	<.5
16. Screen, 10" dia.*	03362	5
17. Cover, 10" dia.*	03107	3
18. Lock pin, coupling, pk of 25*	11203	<.5
19. Safety cable, 1/2" to 1-1/4" OD hose	15012	.5
20. Nipple	01736	1.5
21. Elbow	01766	.5

*Optional Accessories

Manuals

1028 without remotes	04124
TLR50 Remotes	03358